

NEW IMPROVED SuperEar™

PERSONAL SOUND ENHANCER

Powerful sound amplification indoors and outdoors. Nature lovers, senior citizens, sports fans and sleuths all use SuperEar™.

What binoculars do to improve your vision, the SuperEar™ does to improve your ability to hear the sounds around you – outdoors, indoors, virtually anywhere. The volume control allows up to 50 decibels of sound gain, so you can hear what you've been missing.

Small and easy to use, the SuperEar™ fits in a shirt pocket and weighs just 3 ounces!



FEATURES

- Pick up sounds from 100 yards away
- Enjoy the sounds of nature as never before
- Can be mounted directly onto binoculars
- Provided spring steel clip attaches the amplifier to pocket, belt or lapel for "hands free" use
- Upgraded premium stereo headphones deliver clear, crisp sound
- Foam ear pads are easily replaceable
- Solid state microelectronic circuitry requires only a single 1.5V AAA

Sonic Technology Products, Inc.
120 Richardson Street, Grass Valley, CA 95945
Phone: 800.247.5548 • Fax: 530.272.4257
e-mail: pestchaser@sonictechnology.com
www.sonictechnology.com

SuperEar™

*Powerful Electronic Sound Amplification
in a complete system for flexibility of use.*



For birdwatchers and hikers,
attaches to belt or binoculars



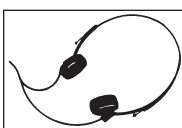
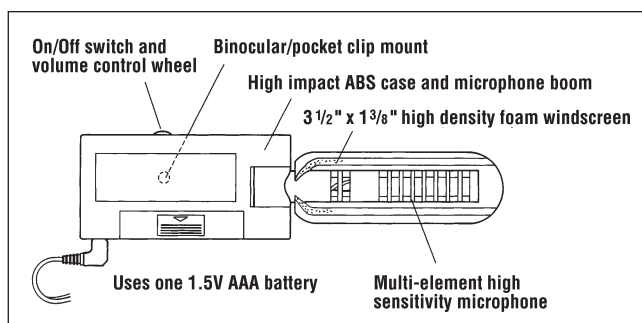
Use the SuperEar™ for TV
watching, lectures, worship services

The multi-element microphone is mounted in a 180 degree swiveling sound boom that is covered in a protective foam windscreen.

This high tech product incorporates miniaturized circuit technology—combined with a multi-element electronic microphone and matched output headphone drivers to deliver the best possible sound gain and quality in a moderately priced amplification device.

Designed to help the slightly to moderately hearing impaired, the SuperEar™ is a high quality product which fulfills the requirement for an assistive listening device to comply with the American with Disabilities Act (ADA).

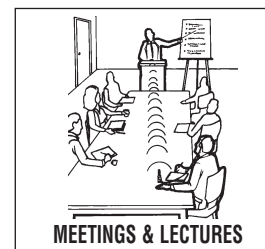
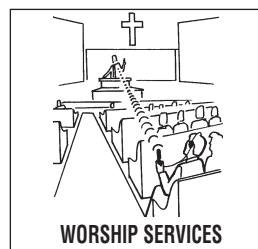
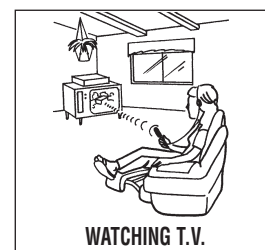
The SuperEar™ is often sold as a stand alone personal sound amplifier which has many uses. It may also be sold specifically as a binocular companion accessory. A high percentage of sales are to people who purchase/own binoculars. Merchandising the SuperEar™ with your binoculars can optimize exposure to potential purchasers and facilitate an add-on sale.



Lightweight, premium quality stereo headphones for crisp, clear sound.



Pocket clip, binocular clip and velcro mountings for complete flexibility.



1 YEAR WARRANTY

NOTE: Use of a sound amplification device for eavesdropping purposes is not only impolite, it is also illegal.

Sonic Technology Products, Inc.
120 Richardson Street, Grass Valley, CA 95945
Phone: 800.247.5548 • Fax: 530.272.4257
e-mail: pestchaser@sonictechnology.com
www.sonictechnology.com

SPECIFICATIONS

Weight: 3 oz.
Power: Single 1.5V AAA alkaline battery (included)
Frequency: 100 to 14,000 hertz
Warranty: 1 year limited